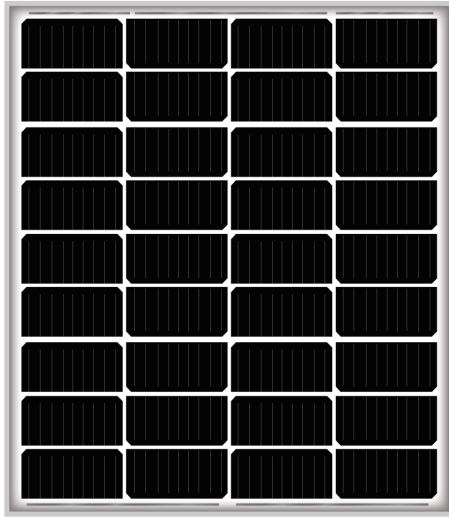


# CST-M8/18

## 36 Cut Cells Monocrystalline PV Module



**25 years Performance Guarantee**  
10-YEAR90%Maximum Output  
25-YEAR80%Maximum Output



**12 years Product Warranties**  
Leading product quality assurance



### Positive tolerance

Positive tolerance of up to 5 W delivers higher output reliability



### Excellent weak light performance

More power output in weak light condition, such as haze,cloudy and morning

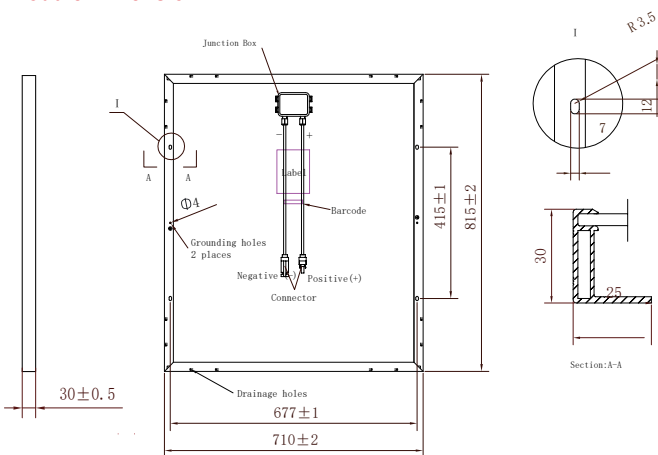


### Certified to withstand

wind load (2400 Pascal) and snow load (5400 Pascal)



### Module Dimension



Electrical Characteristics	CST-M8/18			
	CST-M8/18 100	CST-M8/18 105	CST-M8/18 110	CST-M8/18 115
PV module model	CST-M8/18 100	CST-M8/18 105	CST-M8/18 110	CST-M8/18 115
Maximum Power - Pmax(W)	100	105	110	115
Open Circuit Voltage - Voc(V)	23.58	24.16	24.85	25.41
Short Circuit Current - Isc(A)	5.52	5.59	5.65	5.72
Voltage at Pmax-Vmp(V)	19.58	20.27	20.95	21.61
Current at Pmax-Imp(A)	5.11	5.18	5.25	5.32
Module Efficiency-ηm(%)	17.3	18.1	19.0	19.9
Power Output Tolerance(W)	0~+5			
STC: Irradiance 1000 W/m <sup>2</sup> , Module Temperature 25°C, Air Mass AM1.5				

### Mechanical Specifications

External Dimensions	815x710x30mm
Weight	6.3kg
Solar Cells	monocrystalline 166x83(36)pcs
Front Glass	High transparency solar glass 3.2mm
Frame	Silver , anodized aluminum alloy
Junction Box	IP65
Output Cables	Optional
Connector	MC4 Compatible
Wind/Snow Load	2400Pa/5400Pa

### Packing Configuration

Container	40'GP
Pieces per pallet	72
Pallets per container	42
Pieces per container	3024

### Temperature Characteristics

Pmax Temperature Coefficient	-0.40%/ °C
Voc Temperature Coefficient	-0.32%/ °C
Isc Temperature Coefficient	+0.05%/ °C
Operating Temperature	-40~85 °C
Nominal Module Operating Temperature (NMOT)	43±2 °C